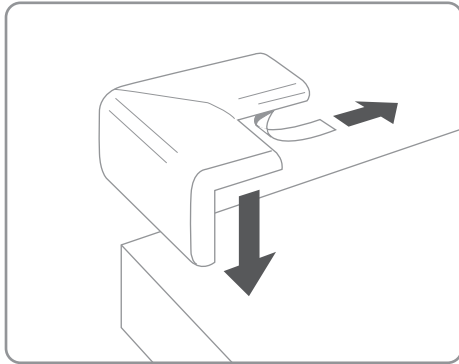
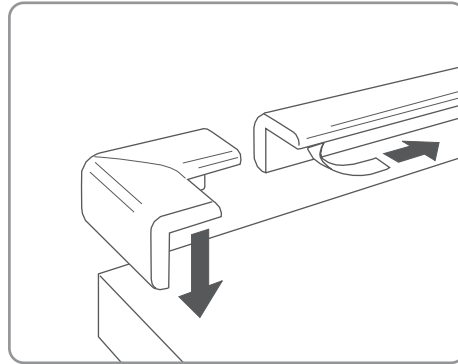


# Foam Guards Instructions

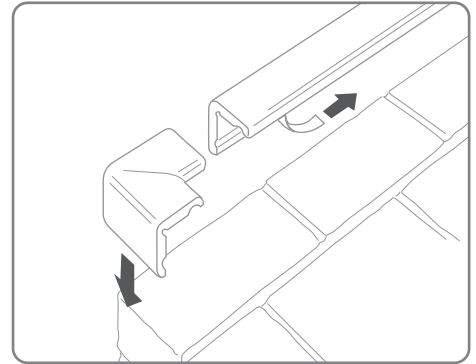
0070 / 0071 / 0091 / 0092 / 0095 / 0097 / 0098 / 0100 / 0101 / 0102



0071 / 0092 Corner Guards  
0097 / 0101 Jumbo Corner Guards



0070 / 0091 Table Edge Guard  
0098 / 0102 Jumbo Edge Guard



0095 / 0100 Fireplace Guard

## Removal:

Slowly and carefully peel up Guard. Adhesive residue can be cleaned by rubbing with a soft cloth and furniture polish or Naptha. For best results please allow 24 hours to set.

## WARNING:

This product is not a toy. Do not allow children to play with it. This product is not a substitute for proper adult supervision. Prince Lionheart makes no warranty, either expressed or implied, that surface damage may not occur.



PRINCE LIONHEART®

**Prince Lionheart, Inc.**  
2421 S. Westgate Road  
Santa Maria, CA 93455  
U.S.A.

**Prince Lionheart UK Ltd.**  
4 Perivale Park  
Horsenden Lane South  
Middlesex UB6 7RL, England

©2010 Prince Lionheart, Inc.  
Made in China

